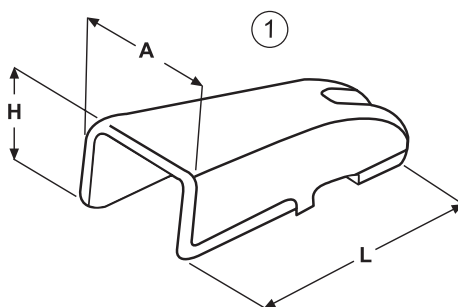


CUSTODIE TIPO **BOFORS**

BOFORS TYPE ADAPTERS

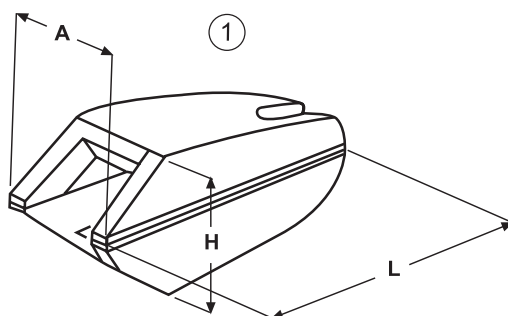
ZAHNHÜLSEN TYP BOFORS

PORTE-DENTS TYPE BOFORS



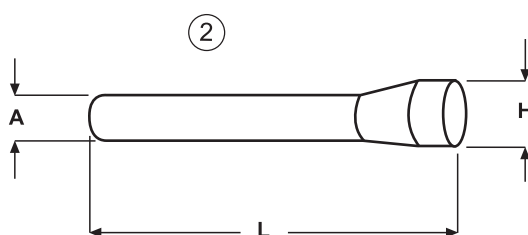
| NS. RIF. OUR REF. UNS. REF. NOTRE REF. | N. ORIGINALE ORIGINAL NO. ORIGINAL NR. N. D'ORIGINE | FIGURA FIGURE FIGUR FIGURE | DIMENSIONI - DIMENSIONS ABMESSUNGEN - DIMENSIONS | | | PESO WEIGHT GEWICHT POIDS (KG) | DENTE TOOTH ZAHN DENT |
|---|--|-------------------------------------|---|-----|----|--|--------------------------------|
| | | | L | A | H | | |
| E 201 | 4046816 - 31006 | 1 | 121 | 64 | 50 | 1.0 | E 180 - E 200 |
| E 206 | 4046797 - 31004 | 1 | 160 | 77 | 61 | 2.0 | E 185 - E 205 |
| E 211 | 4046819 - 32004 | 1 | 209 | 94 | 74 | 3.8 | E 210 |
| E 216 | 4046862 - 33004 | 1 | 216 | 105 | 83 | 5.1 | E 215 |

CUSTODIE PER DENTI TIPO BOFORS (FORO VERTICALE)
ADAPTERS FOR BOFORS TYPE TEETH (VERTICAL HOLE)
HÜLSEN FÜR ZÄHNE TYP BOFORS (VERTIKALES LOCH)
BOITIERS POUR DENTS TYPE BOFORS (TROU VERTICAL)



| NS. RIF. OUR REF. UNS. REF. NOTRE REF. | FIGURA FIGURE FIGUR FIGURE | DIMENSIONI - DIMENSIONS - ABMESSUNGEN - DIMENSIONS | | | PESO WEIGHT GEWICHT POIDS (KG) | DENTE TOOTH ZAHN DENT |
|---|-------------------------------------|--|-----|-----|--|--------------------------------|
| | | L | A | H | | |
| E 106 | 1 | 220 | 86 | 95 | 6.3 | E 105 - E 105 S |
| E 111 | 1 | 240 | 103 | 122 | 11.0 | E 110 - E 110 S |
| E 116 | 1 | 305 | 108 | 130 | 16.0 | E 115 - E 115 S |
| E 121 | 1 | 330 | 124 | 150 | 20.5 | E 120 - E 120 S |

PERNI DI FISSAGGIO
RETAINING PINS
SICHERUNGSBOLZEN
AXES DE FIXATION



| NS. RIF. OUR REF. UNS. REF. NOTRE REF. | FIGURA FIGURE FIGUR FIGURE | DIMENSIONI - DIMENSIONS - ABMESSUNGEN - DIMENSIONS | | | PESO WEIGHT GEWICHT POIDS (KG) | DENTE TOOTH ZAHN DENT |
|---|-------------------------------------|--|----|----|--|--|
| | | L | A | H | | |
| E 98 | 2 | 120 | 13 | 19 | 0.15 | E 105 - E 105 S |
| E 99 | 2 | 150 | 18 | 28 | 0.35 | E 110 - E 110 S - E 115 E 115 S - E 120 - E 120 S |

