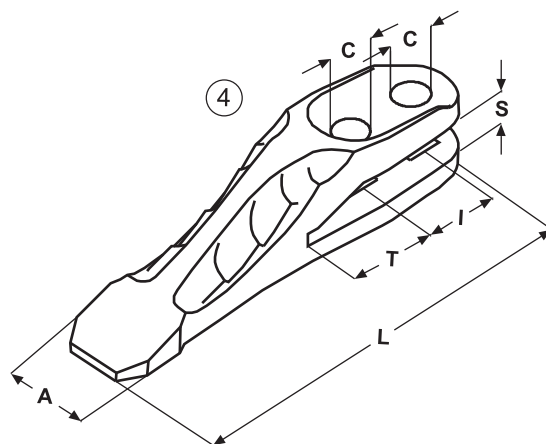
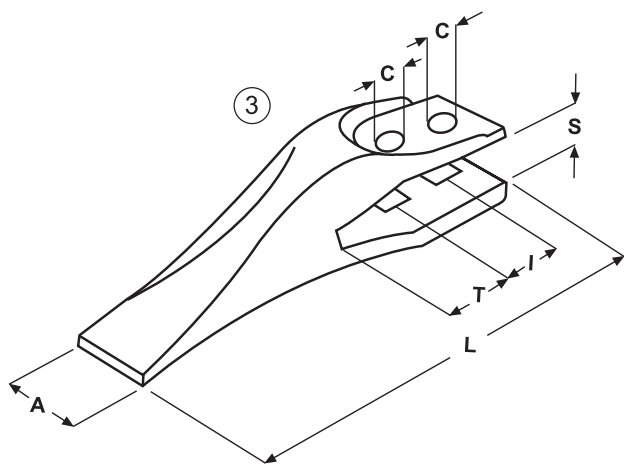
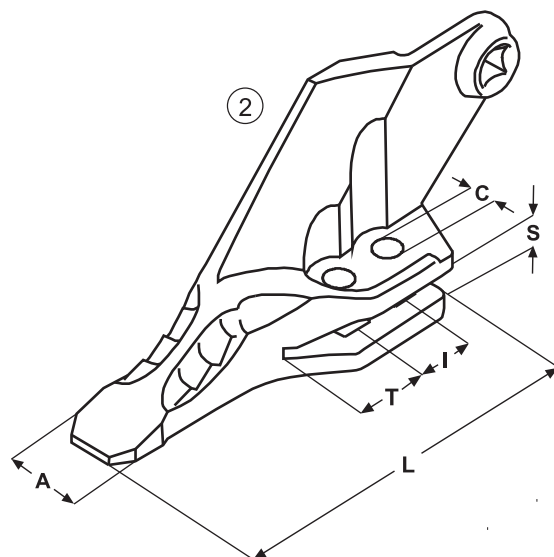
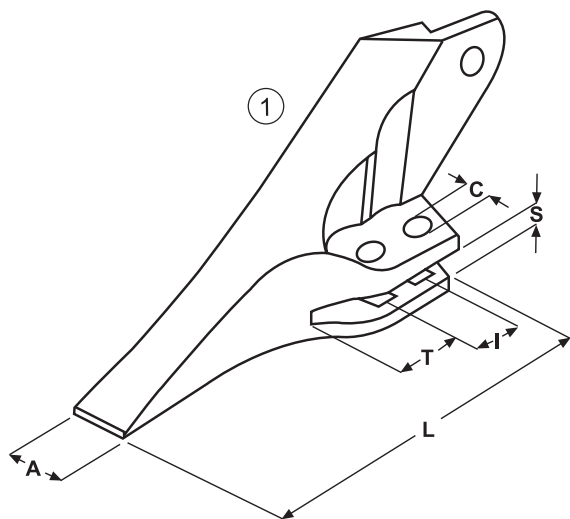


DENTI A FORCELLA TIPO **JCB**

FORK TEETH TYPE JCB

GABELZÄHNE TYP JCB

DENTS À FOURCHE TYPE JCB



MODELLO MODEL MODELL MODÈLE	NS. RIF. OUR REF. UNS. REF. NOTRE REF.	N. ORIGINALE ORIGINAL NO. ORIGINAL NR. N. D'ORIGINE	FIGURA FIGURE FIGUR FIGURE	DIMENSIONI - DIMENSIONS ABMESSUNGEN - DIMENSIONS						PESO WEIGHT GEWICHT POIDS (KG)	VITE / DADO BOLT / NUT SCHRAUBE / MUTTER BOULON / ÉCROU
				L	A	T	I	S	C		
TERNE BACK-HOE LOADERS BAGGERLADER TRACTO-PELLES	E 25	531.03205	3	250	54	51	44.5	22	20.5	2.5	E 622
	E 25 R	531.03208	1	260	50	51	44.5	22	20.5	5.0	E 622
	E 25 L	531.03209	1	260	50	51	44.5	22	20.5	5.0	E 622
TERNE BACK-HOE LOADERS BAGGERLADER TRACTO-PELLES	E 26	332/C4388	4	258	54	54	44.5	22	20.5	2.7	E 622
	E 26 R	332/C4390	2	260	54	54	44.5	22	20.5	5.6	E 622
	E 26 L	332/C4389	2	260	54	54	44.5	22	20.5	5.6	E 622

