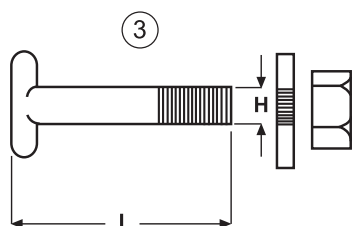
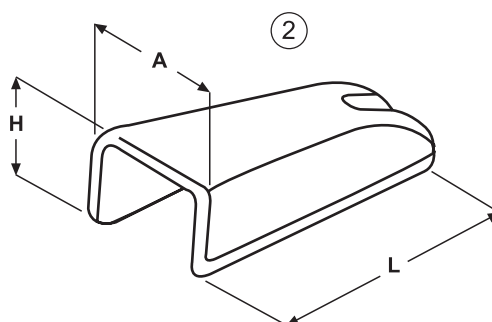
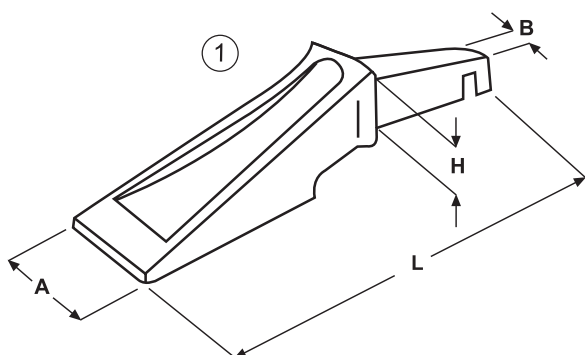


DENTI E CUSTODIE TIPO FN

FN TYPE TEETH AND ADAPTERS

ZÄHNE UND HÜLSEN TYP FN

DENTS ET PORTE-DENTS TYPE FN



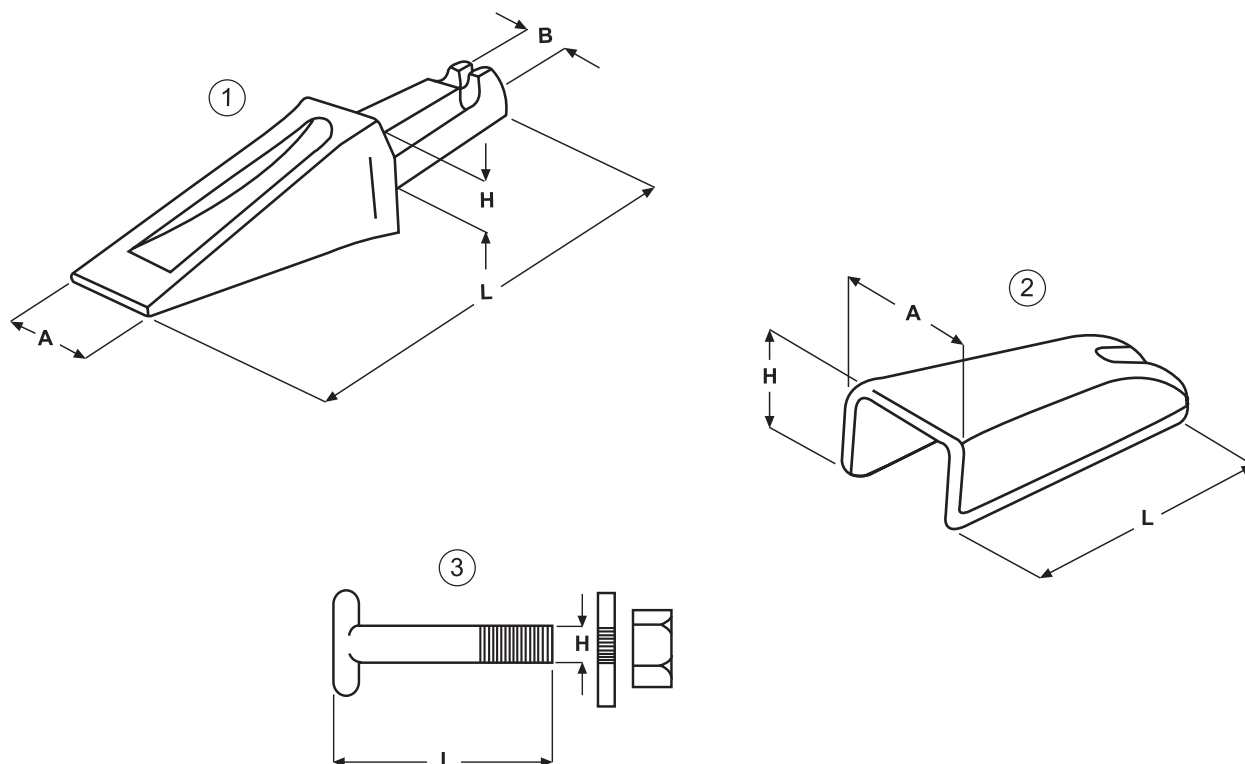
NS. RIF. OUR REF. UNS. REF. NOTRE REF.	N. ORIGINALE ORIGINAL NO. ORIGINAL NR. N. D'ORIGINE	FIGURA FIGURE FIGUR FIGURE	DIMENSIONI - DIMENSIONS ABMESSUNGEN - DIMENSIONS				PESO WEIGHT GEWICHT POIDS (KG)	FORZA DI STRAPPO BREAK-OUT FORCE ZUGFESTIGKEIT FORCE D'ARRACHEMENT (KG)
			L	A	B	H		
E 71	3000 FN	1	241	65	34	34	2.3	5800
E 51	300 H	2	120	62	-	48	1.2	
E 52	5 ST	3	59	-	-	10	0.07	

DENTI E CUSTODIE TIPO **BT**

BT TYPE TEETH AND ADAPTERS

ZÄHNE UND HÜLSEN TYP BT

DENTS ET PORTE-DENTS TYPE BT



NS. RIF. OUR REF. UNS. REF. NOTRE REF.	N. ORIGINALE ORIGINAL NO. ORIGINAL NR. N. D'ORIGINE	FIGURA FIGURE FIGUR FIGURE	DIMENSIONI - DIMENSIONS ABMESSUNGEN - DIMENSIONS				PESO WEIGHT GEWICHT POIDS (KG)	FORZA DI STRAPPO BREAK-OUT FORCE ZUGFESTIGKEIT FORCE D'ARRACHEMENT (KG)
			L	A	B	H		
E 50	3000 BT	1	230	62	34	34	2.1	6200
E 51	300 H	2	120	62	-	48	1.2	
E 52	5 ST	3	59	-	-	10	0.07	
E 55	4000 BT	1	268	69	40	40	3.5	8700
E 56	400 H	2	152	75	-	54	2.0	
E 57	10 ST	3	77	-	-	12	0.12	