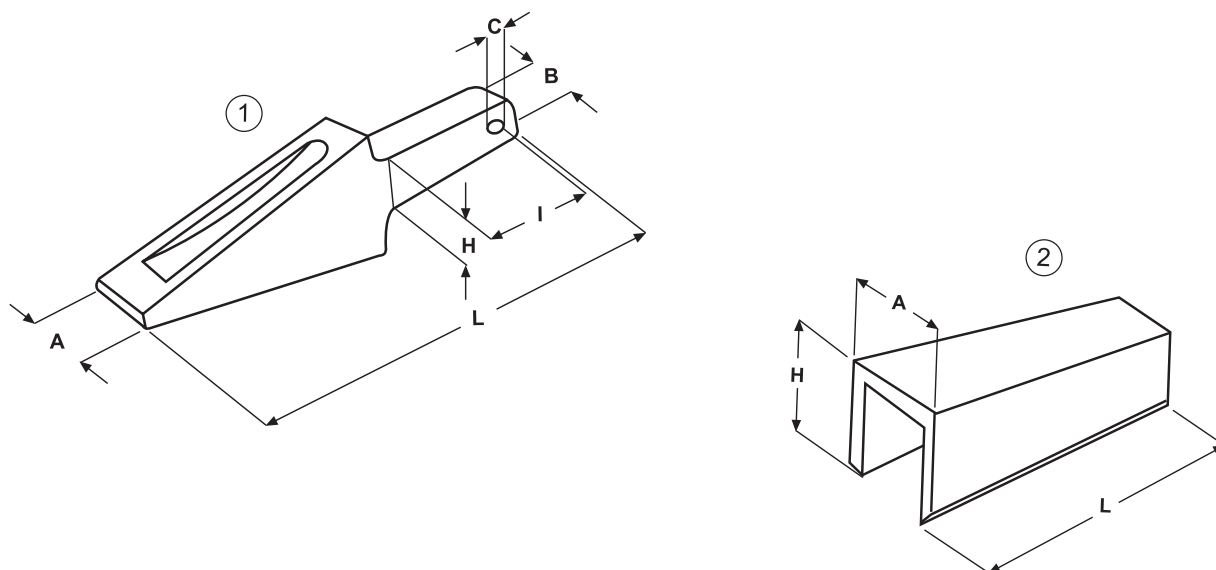


DENTE E CUSTODIA TIPO FAI PER ESCAVATORI (FORO ORIZZONTALE)  
 FAI TYPE TOOTH AND ADAPTER FOR EXCAVATORS (HORIZONTAL HOLE)  
 ZAHN UND HÜLSE TYP FAI FÜR BAGGER (HORIZONTALES LOCH)  
 DENT ET PORTE-DENT TYPE FAI POUR EXCAVATEURS (TROU HORIZONTAL)



NS. RIF. OUR REF. UNS. REF. NOTRE REF.	FIGURA FIGURE FIGUR FIGURE	DIMENSIONI - DIMENSIONS - ABMESSUNGEN - DIMENSIONS						PESO WEIGHT GEWICHT POIDS (KG)	FORZA DI STRAPPO BREAK-OUT FORCE ZUGFESTIGKEIT FORCE D'ARRACHEMENT (KG)
		L	A	B	H	I	C		
<b>E 60</b>	1	300	61	33	41	125	11	3.2	7.800
<b>E 61</b>	2	120	73	-	59	-	-	1.7	