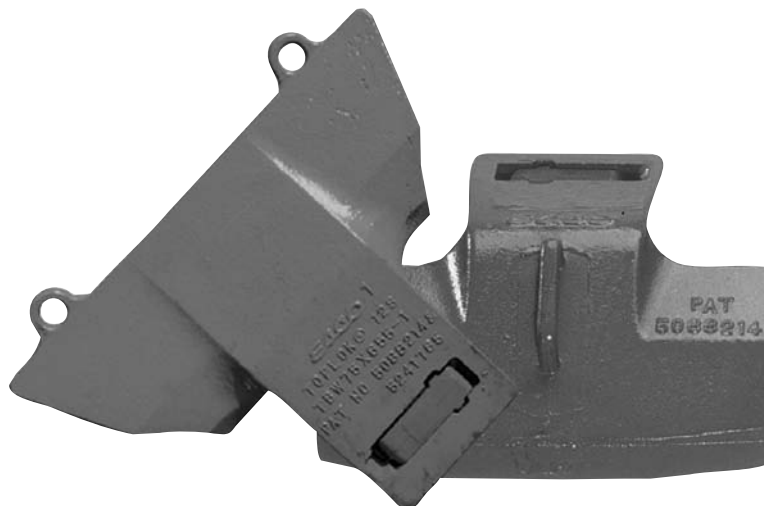


TOPLOK® and Shrouds
TOPLOK® et boucliers
TOPLOK® und Schutzschilde
TOPLOK® & scudi
TOPLOK® & Cubiertas protectoras



Reference System / Système de référence Bezeichnungssystem / Schema codifica

Example / Exemple / Beispiel / Esempio:

TAC65x385-2LA

T= TOPLOK®

A= Series / Série / Serie

C= Center/ Centre / Mitte / Centro

65= lip Thickness (mm) / Epaisseur de lame (mm) / Messerstärke (mm) / Spessore di lama (mm)

385= Shroud Width (mm) / Largeur de Bouclier (mm) / Schildbreite (mm) / Larghezza Scudi (mm)

-2= sequential # / Numéro séquentiel / Version / Sequenziale numero

L= Left / Gauche / Links / Sinistra

A= Revision Sequence / Ordre de révision / Version / Sequenza di revisione

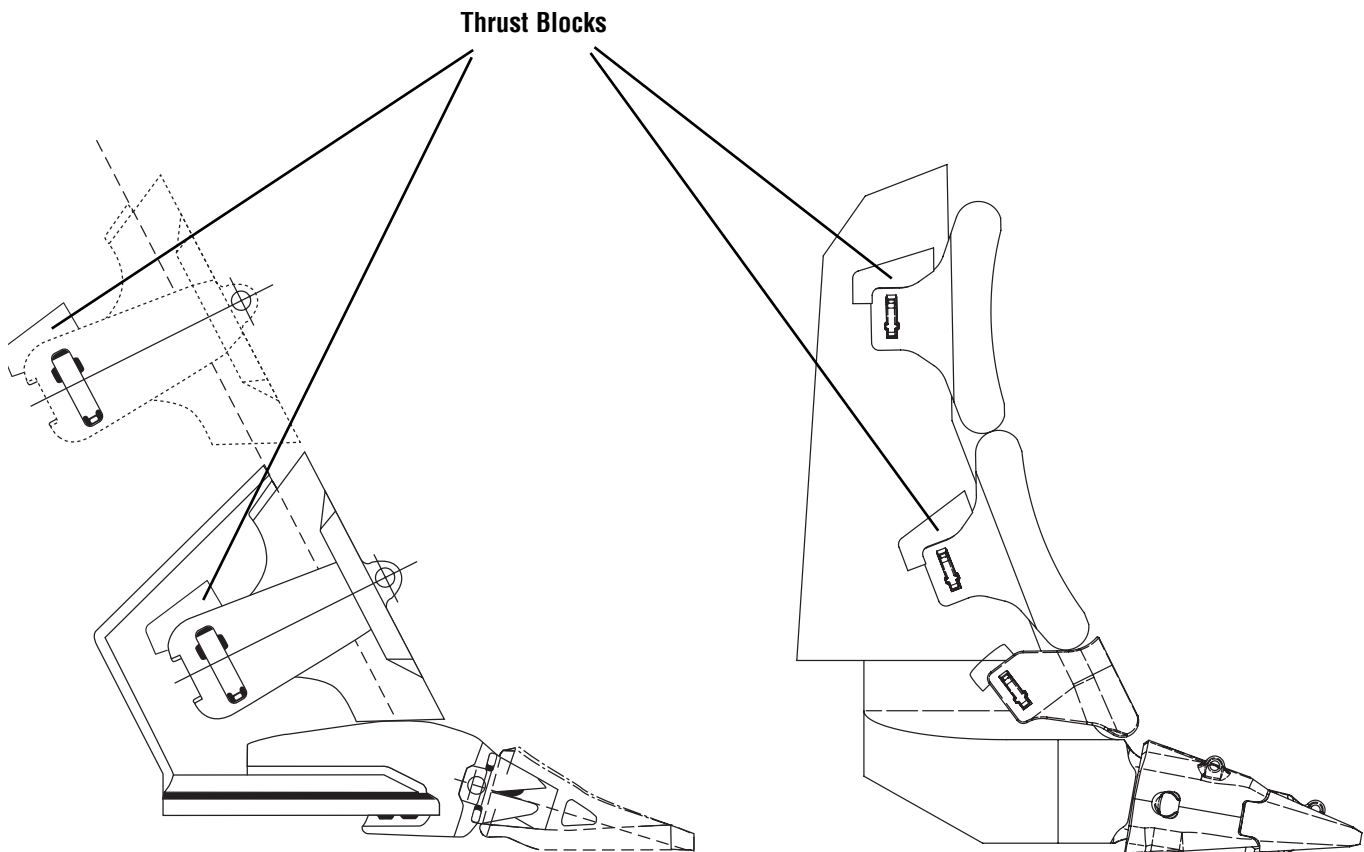
Reference System / Système de référence

Bezeichnungssystem / Schema codifica

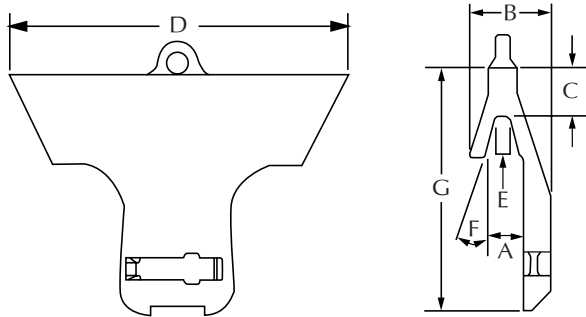
TOPLOK®

Wing Shroud / Bouclier latéral

Seitenschutzschilde / Rinforzo laterale



TOPLOK® Wing Shroud / Bouclier latéral Seitenschutzschilde / Rinforzo laterale



Wing Shroud / Bouclier latéral / Seitenschutzschilde / Rinforzo laterale

Reference Référence Bezeichnung Riferimento	A mm / in	B mm / in	C mm / in	D mm / in	E mm / in	F (°)	G mm / in	Boss Bossage Grundplatte Fissagi	Pin Clavette Keil Chiavetta	Weight Poids Gewicht Peso kg / lb
TAW40X440-1A	40 / 1.50	92 / 3.62	76 / 3.00	437 / 17.19	38 / 1.50	0	300 / 11.80	TAB	TAP	23 / 50.8
TAW40X560-1*	42 / 1.65	106 / 4.17	148 / 5.82	561 / 22.08	40 / 1.57	0	358 / 14.10	TAB	TAP	47.4 / 104.6
TAW40X600-1	40 / 1.50	104 / 4.09	73 / 2.87	600 / 23.62	41 / 1.61	0	327 / 12.88	TAB	TAP	29 / 64
TAW50X505-1A	50 / 2.00	133 / 5.22	72 / 2.85	507 / 19.97	19 / 0.75	15	417 / 16.40	TAB	TAP	27.4 / 60.4
TAW50X505-2	50 / 2.00	120 / 4.74	104 / 4.08	507 / 19.97	52 / 2.05	0	394 / 15.51	TAB	TAP	43.5 / 96
TAW50X630-1A*	60 / 2.39	106 / 4.18	107 / 4.21	628 / 24.73	51 / 2.00	0	315 / 12.39	TAB	TAP	44.3 / 97.6
TAW115-1	115 / 4.5	279 / 11.00	169 / 6.64	381 / 15.00	115 / 4.5	0	359 / 14.12	TAB	TAP	78 / 172
TAW120X760-1	120 / 4.75	225 / 8.86	178 / 7.01	762 / 30.00	120 / 4.72	0	432 / 17.01	TAB	TAP	147.4 / 325
TAW135-1	135 / 5.32	396 / 15.60	174 / 6.85	444 / 17.48	135 / 5.32	0	379 / 14.93	TAB	TAP	100.7 / 222
TBW50X655-1**	50 / 2.00	135 / 5.24	168 / 6.61	655 / 25.78	50 / 2.00	0	499 / 19.64	TBB	TBP	78.1 / 172.2
TBW75X545-1A	75 / 3.00	161 / 6.32	83 / 3.25	546 / 21.50	33 / 1.29	15	348 / 13.71	TBB	TBP	42.9 / 94.6
TBW75X655-1**	75 / 3.00	160 / 6.29	165 / 6.48	655 / 25.80	75 / 3.00	0	499 / 19.63	TBB	TBP	88 / 194
TBW90X495-1	T-4 CORNER	207 / 8.15	112 / 4.40	508 / 20.00	40 / 1.56	22,5	396 / 15.61	TBB	TBP	60.8 / 134
TBW90X855-1A	90 / 3.62	855 / 33.65	227 / 8.94	855 / 33.65	90 / 3.50	0	572 / 22.52	TBB	TBP	205 / 452
TBW100X965-1*	100 / 4.00	210 / 8.25	98 / 3.86	965 / 38.00	100 / 4.00	0	500 / 19.69	TBB	TBP	159.2 / 351
TBW140X800-1	140 / 5.50	263 / 10.34	190 / 7.50	803 / 31.60	140 / 5.50	0	521 / 20.50	TBB	TBP	216 / 475
TBW165-1R	160 / 6.30	368 / 14.50	127 / 5.00	514 / 20.25	160 / 6.30	0	483 / 19.00	TBB	TBP	173 / 381
TBW165-1L	160 / 6.30	368 / 14.50	127 / 5.00	514 / 20.25	160 / 6.30	0	483 / 19.00	TBB	TBP	173 / 381
TEW38X440-1***	38 / 1.50	105 / 4.15	87 / 3.42	437 / 17.20	38 / 1.50	0	315 / 12.40	TEBA	TEP	25 / 55
TEW38X440-2****	38 / 1.50	105 / 4.15	87 / 3.42	437 / 17.20	38 / 1.50	0	315 / 12.40	TEBA	TEP	25 / 55

Wing Shroud Thrust Block

Reference Référence Bezeichnung Riferimento	Mating Shrouds
PDD33312#1	TAW115-1/135-1
PDD33024#1	TAW120X760-1
PDD33095#1	TAW40X440-1A
PDD33096#1	TAW40X560-1
PDE51413#3	TAW40X600-1
PDD32816#1	TAW50X505-2
PDE51413#3	TAW50X630-1A
PDD33097#1	TBW50X655-1
PDD32680#1	TBW100X965-1
PDE51987#2L	TBW75X655-1
PDE51987#2R	TBW75X655-1
PDD33366#1	TBW140X800-1
PDD33367#1	TBW165-1L/1R
PDD32678#1	TBW90X855-1A

Pin Removal Tool/ Outil de démontage/ Durchschlag/Utensile di Smontaggio

Reference Référence Bezeichnung Riferimento	Weight Poids Gewicht Peso kg / lb
4097081	.3 / .7

Boss/Bossage/Grundplatte/Fissagi

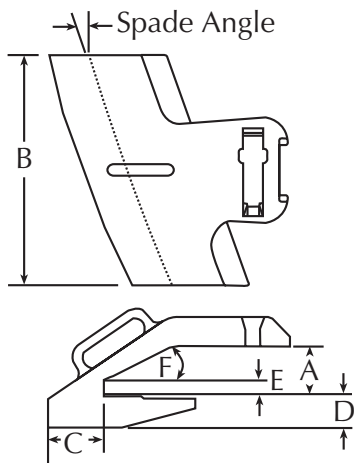
Reference Référence Bezeichnung Riferimento	Mating Pin	MINIMUM Lip Thickness Epaisseur lame Messer Stärke Spessore lama mm/in	MAXIMUM Lip Thickness Epaisseur lame Messer Stärke Spessore lama mm/in	Weight Poids Gewicht Peso kg / lb (kg/lb)
TAB	TAP	50 / 2.00	75 / 3.00	.7 / 1.5
TBB	TBP	90 / 3.50	160 / 6.25	1.9 / 4.2
TCB	TCP	165 / 6.50	200 / 8.00	4 / 8.8
TDB	TDP	30 / 1.25	38 / 1.50	.4 / .8
TEBA	TEP	LHD ONLY	LHD ONLY	1.3 / 2.8

Locking Pin/Clavette/Keil/Chiavetta/Chavetta

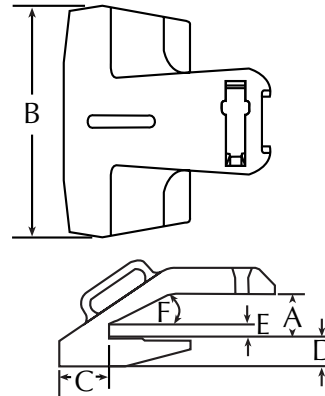
Reference Référence Bezeichnung Riferimento	Mating Boss	Weight Poids Gewicht Peso kg / lb
TAP-T	TAB	1.1 / 2.5
TAP	TAB	1 / 2.2
TBP-T	TBB	2.7 / 6
TBP	TBB	2.4 / 5.3
TCP-T	TCB	5.3 / 11.6
TCP	TCB	4.8 / 10.6
TDP	TDB	.6 / 1.2
TEP	TEBA	.6 / 1.3
TEP-T	TEBA	.7 / 1.5

TOPLOK® for Loaders / pour chargeuses / für Lader / per caricatrice

Left & Right/Gauche & droite/
Link und Recht/Destra e sinistra



Center/Centre/Mitte/Centro



Reference Référence Bezeichnung Riferimento	Machine Machine Maschina Macchina	A	B	C	D	E	F	Spade Lame Messor Lama (°)	Boss/Pin Bossage/Clav. Grundplatte/Keil Fissagi/Chiv.	Weight Poids Gewicht Peso kg / lb
TAC50X285-1	FEL	50 / 2.00	286 / 11.25	150 / 5.91	72 / 2.83	17 / 0.67	30	0	TAB / TAP	57.1 / 126
TAC50X285-2L	FEL	50 / 2.00	286 / 11.25	150 / 5.91	72 / 2.83	17 / 0.67	30	13	TAB / TAP	58 / 128
TAC50X285-2R	FEL	50 / 2.00	286 / 11.25	150 / 5.91	72 / 2.83	17 / 0.67	30	13	TAB / TAP	58 / 128
TAC50X345-1B	FEL	50 / 2.00	345 / 13.58	105 / 4.13	55 / 2.17	17 / 0.67	30	0	TAB / TAP	41.7 / 92
TAC50X345-1C	FEL	50 / 2.00	345 / 13.58	150 / 5.91	72 / 2.83	17 / 0.67	30	0	TAB / TAP	63.5 / 140
TAC50X345-2LB	FEL	50 / 2.00	345 / 13.58	105 / 4.13	55 / 2.17	17 / 0.67	30	10	TAB / TAP	41.3 / 91
TAC50X345-2LC	FEL	50 / 2.00	345 / 13.58	150 / 5.91	72 / 2.83	17 / 0.67	30	13	TAB / TAP	63.5 / 140
TAC50X345-2RB	FEL	50 / 2.00	345 / 13.58	105 / 4.13	55 / 2.17	17 / 0.67	30	10	TAB / TAP	41.3 / 91
TAC50X345-2RC	FEL	50 / 2.00	345 / 13.58	150 / 5.91	72 / 2.83	17 / 0.67	30	13	TAB / TAP	63.9 / 141
TAC50X345-3	FEL	50 / 2.00	345 / 13.58	150 / 5.91	72 / 2.83	17 / 0.67	30	0	TAB / TAP	64.9 / 143
TAC50X345-4L	FEL	50 / 2.00	345 / 13.58	150 / 5.91	72 / 2.83	17 / 0.67	30	13	TAB / TAP	65.8 / 145
TAC50X345-4R	FEL	50 / 2.00	345 / 13.58	150 / 5.91	72 / 2.83	17 / 0.67	30	13	TAB / TAP	65.8 / 145
TAC50X345-5L	FEL	50 / 2.00	422 / 16.61	150 / 5.91	72 / 2.83	17 / 0.67	30	13	TAB / TAP	64.4 / 142
TAC50X345-5R	FEL	50 / 2.00	422 / 16.61	150 / 5.91	72 / 2.83	17 / 0.67	30	13	TAB / TAP	64.4 / 142
TAC50X470-1A	FEL	50 / 2.00	470 / 18.50	105 / 4.13	55 / 2.17	17 / 0.67	30	0	TAB / TAP	53.1 / 117
TAC60X350-1	FEL	60 / 2.36	350 / 13.78	120 / 4.72	41 / 1.63	12 / 0.47	25	0	TAB / TAP	48.5 / 107
TAC60X350-2L	FEL	60 / 2.36	350 / 13.78	120 / 4.72	41 / 1.63	12 / 0.47	25	14	TAB / TAP	50.5 / 111.4
TAC60X350-2R	FEL	60 / 2.36	350 / 13.78	120 / 4.72	41 / 1.63	12 / 0.47	25	14	TAB / TAP	47.6 / 105
TAC65X330-1LB	FEL	65 / 2.50	330 / 13.00	140 / 5.51	49 / 1.92	40 / 1.57	35	25	TAB / TAP	42.2 / 93
TAC65X330-1RB	FEL	65 / 2.50	330 / 13.00	140 / 5.51	49 / 1.92	40 / 1.57	35	25	TAB / TAP	42.2 / 93
TAC65X350-1A	FEL	65 / 2.50	350 / 13.78	127 / 5.00	49 / 1.92	18 / 0.71	30	0	TAB / TAP	50.2 / 110.8
TAC65X380-1A	FEL	65 / 2.50	380 / 14.96	76 / 3.00	44 / 1.74	22 / 0.87	25	0	TAB / TAP	36.1 / 79.6
TAC65X380-2LA	FEL	65 / 2.50	380 / 14.96	76 / 3.00	44 / 1.74	22 / 0.87	25	20	TAB / TAP	39.8 / 87.8
TAC65X380-2RA	FEL	65 / 2.50	380 / 14.96	76 / 3.00	44 / 1.74	22 / 0.87	25	20	TAB / TAP	39.8 / 87.8
TAC65X385-1A	FEL	65 / 2.50	387 / 15.25	140 / 5.50	72 / 2.82	22 / 0.87	25	0	TAB / TAP	67.4 / 148.6
TAC65X385-2LA	FEL	65 / 2.50	387 / 15.25	140 / 5.50	72 / 2.82	22 / 0.87	25	10	TAB / TAP	68.1 / 150.2
TAC65X385-2RA	FEL	65 / 2.50	387 / 15.25	140 / 5.50	72 / 2.82	22 / 0.87	25	10	TAB / TAP	67.6 / 149
TAC65X410-1	FEL	65 / 2.50	411 / 16.20	165 / 6.50	66 / 2.58	22 / 0.87	25	0	TAB / TAP	76.2 / 168
TAC65X410-2L	FEL	65 / 2.50	411 / 16.20	165 / 6.50	66 / 2.58	22 / 0.87	25	14	TAB / TAP	76.2 / 168
TAC65X410-2R	FEL	65 / 2.50	411 / 16.20	165 / 6.50	66 / 2.58	22 / 0.87	25	14	TAB / TAP	76.2 / 168
TAC70X400-2	FEL	70 / 2.76	400 / 15.75	115 / 4.53	44 / 1.73	16 / 0.63	30	0	TAB / TAP	49.4 / 109

Left and right designation for front-end-loaders: operator point of view.

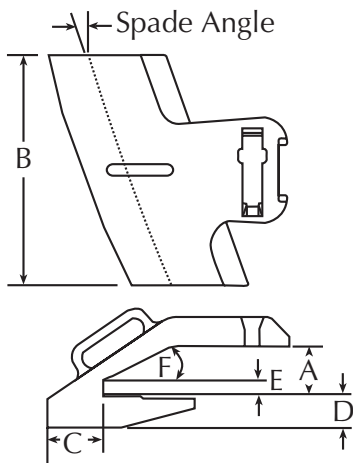
Convention droite-gauche pour les chargeuses: godet vu de l'opérateur.

Bestimmung der linken und rechten Teile beim Lader: von der Fahrersicht

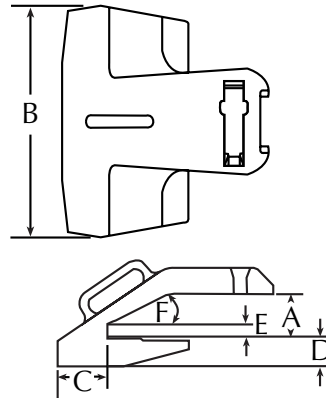
Pale caricatrice: destra/sinistra = quando la benna è vista dall'operatore.

TOPLOK® for Loaders / pour chargeuses / für Lader / per caricatrice

Left & Right/Gauche & droite/
Link und Recht/Destra e sinistra



Center/Centre/Mitte/Centro

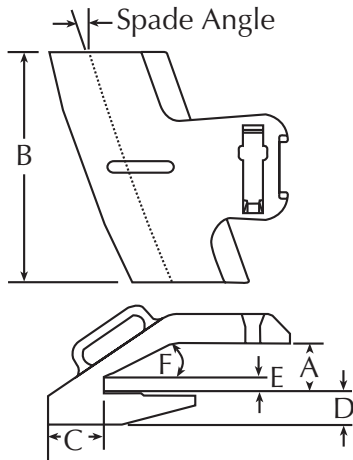


Reference Référence Bezeichnung Riferimento	Machine Machine Maschine Macchina	A	B	C	D	E	F	Spade Lame Messer Lama (°)	Boss/Pin Bossage/Clav. Grundplatte/Keil Fissagi/Chiov.	Weight Poids Gewicht Peso kg / lb
TAC70X400-3LA	FEL	70 / 2.76	400 / 15.75	115 / 4.53	44 / 1.73	16 / 0.63	30	10	TAB / TAP	48.1 / 106
TAC70X400-3RA	FEL	70 / 2.76	400 / 15.75	115 / 4.53	44 / 1.73	16 / 0.63	30	10	TAB / TAP	48.1 / 106
TAC70X415-1	FEL	70 / 2.75	415 / 16.34	151 / 5.93	74 / 2.90	18 / 0.71	30	0	TAB / TAP	91.6 / 202
TAC70X415-2L	FEL	70 / 2.75	415 / 16.34	151 / 5.93	74 / 2.90	18 / 0.71	30	13	TAB / TAP	98.4 / 217
TAC70X415-2R	FEL	70 / 2.75	415 / 16.34	151 / 5.93	74 / 2.90	18 / 0.71	30	13	TAB / TAP	98.4 / 217
TAC70X415-3L	FEL	70 / 2.75	510 / 20.09	151 / 5.93	74 / 2.90	18 / 0.71	30	13	TAB / TAP	97.5 / 215
TAC70X415-3R	FEL	70 / 2.75	415 / 16.34	151 / 5.93	74 / 2.90	18 / 0.71	30	13	TAB / TAP	97.5 / 215
TAC70X450-1A	FEL	70 / 2.75	450 / 17.72	151 / 5.93	73 / 2.89	18 / 0.71	30	0	TAB / TAP	93 / 205
TAC70X450-2LA	FEL	70 / 2.75	450 / 17.72	151 / 5.93	73 / 2.89	18 / 0.71	30	10	TAB / TAP	94.8 / 209
TAC70X450-2RA	FEL	70 / 2.75	450 / 17.72	151 / 5.93	73 / 2.89	18 / 0.71	30	10	TAB / TAP	94.8 / 209
TAC70X450-3	FEL	70 / 2.75	450 / 17.72	151 / 5.93	73 / 2.89	18 / 0.71	30	0	TAB / TAP	97.1 / 214
TAC70X450-4L	FEL	70 / 2.75	450 / 17.72	151 / 5.93	73 / 2.89	18 / 0.71	30	10	TAB / TAP	99.8 / 220
TAC70X450-4R	FEL	70 / 2.75	450 / 17.72	151 / 5.93	73 / 2.89	18 / 0.71	30	10	TAB / TAP	99.8 / 220
TAC70X450-5L	FEL	70 / 2.75	450 / 17.72	151 / 5.93	73 / 2.89	18 / 0.71	30	13	TAB / TAP	97.1 / 214
TAC70X450-5R	FEL	70 / 2.75	450 / 17.72	151 / 5.93	73 / 2.89	18 / 0.71	30	13	TAB / TAP	97.1 / 214
TAC75X430-1	FEL	75 / 3.00	651 / 25.62	165 / 6.51	93 / 3.66	19 / 0.73	30	0	TAB / TAP	137.9 / 304
TAC75X430-2L	FEL	75 / 3.00	651 / 25.62	165 / 6.51	93 / 3.66	19 / 0.73	30	13	TAB / TAP	141.5 / 312
TAC75X430-2R	FEL	75 / 3.00	651 / 25.62	165 / 6.51	93 / 3.66	19 / 0.73	30	13	TAB / TAP	141.5 / 312
TAC75X430-3L	FEL	75 / 3.00	541 / 21.28	165 / 6.51	93 / 3.66	19 / 0.73	30	13	TAB / TAP	138.3 / 305
TAC75X430-3R	FEL	75 / 3.00	541 / 21.28	165 / 6.51	93 / 3.66	19 / 0.73	30	13	TAB / TAP	138.3 / 305
TBC90X390-1A	FEL	90 / 3.50	390 / 15.35	143 / 5.62	65 / 2.54	18 / 0.71	30	0	TBB / TBP	93 / 205
TBC90X435-1C	FEL	90 / 3.50	435 / 17.13	188 / 7.40	89 / 3.49	18 / 0.71	30	0	TBB / TBP	143.8 / 317
TBC90X435-2LC	FEL	90 / 3.50	435 / 17.13	188 / 7.40	89 / 3.49	18 / 0.71	30	10	TBB / TBP	145.6 / 321
TBC90X435-2RC	FEL	90 / 3.50	435 / 17.13	188 / 7.40	89 / 3.49	18 / 0.71	30	10	TBB / TBP	145.6 / 321
TBC100X390-1A	FEL	100 / 4.00	390 / 15.35	143 / 5.62	67 / 2.62	18 / 0.71	30	0	TBB / TBP	93.4 / 206
TBC100X410-1B	FEL	100 / 4.00	410 / 16.14	166 / 6.54	73 / 2.87	18 / 0.71	30	0	TBB / TBP	112.9 / 249
TBC100X410-2LB	FEL	100 / 4.00	410 / 16.14	166 / 6.54	73 / 2.87	18 / 0.71	30	10	TBB / TBP	117.9 / 260
TBC100X410-2RB	FEL	100 / 4.00	410 / 16.14	166 / 6.54	73 / 2.87	18 / 0.71	30	10	TBB / TBP	117.9 / 260
TBC100X410-5	FEL	100 / 4.00	410 / 16.14	250 / 9.84	98 / 3.86	34 / 1.34	22.5	0	TBB / TBP	187.8 / 414
TBC100X410-6L	FEL	100 / 4.00	410 / 16.14	250 / 9.84	98 / 3.86	34 / 1.34	22.5	15	TBB / TBP	187.8 / 414
TBC100X410-6R	FEL	100 / 4.00	410 / 16.14	250 / 9.84	98 / 3.86	34 / 1.34	22.5	15	TBB / TBP	187.8 / 414
TBC100X410-7	FEL	100 / 4.00	410 / 16.14	189 / 7.45	87 / 3.43	22 / 0.87	30	0	TBB / TBP	156.5 / 345
TBC100X410-8L	FEL	100 / 4.00	410 / 16.14	189 / 7.45	87 / 3.43	22 / 0.87	30	14	TBB / TBP	159.6 / 352
TBC100X410-8R	FEL	100 / 4.00	410 / 16.14	189 / 7.45	87 / 3.43	22 / 0.87	30	14	TBB / TBP	159.6 / 352
TBC100X445-4L	FEL	100 / 4.00	445 / 17.52	250 / 9.84	98 / 3.86	34 / 1.34	22.5	15	TBB / TBP	182.8 / 403
TBC100X445-4R	FEL	100 / 4.00	445 / 17.52	250 / 9.84	98 / 3.86	34 / 1.34	22.5	15	TBB / TBP	182.8 / 403

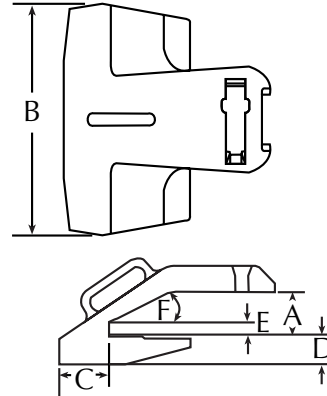
Left and right designation for front-end-loaders: operator point of view.
Convention droite-gauche pour les chargeuses: godet vu de l'opérateur.
Bestimmung der linken und rechten Teile beim Lader : von der Fahrersicht
Pale caricatrice: destra/sinistra = quando la benna è vista dall'operatore.

TOPLOK® for Excavators / pour pelles / für Bagger / per escavatori

Left & Right/Gauche & droite/
Link und Recht/Destra e sinistra



Center/Centre/Mitte/Centro



Reference Référence Bezeichnung Riferimento	Machine Machine Maschine Macchina	A	B	C	D	E	F	Spade Lame Messer Lama (°)	Boss/Pin Bossage/Clav. Grundplatte/Keil Fissagi/Chiv.	Weight Poids Gewicht Peso kg / lb
TAC70X240-1B	BACKHOE	70 / 2.75	240 / 9.45	115 / 4.53	35 / 1.38	18 / 0.71	30	0	TAB / TAP	32.7 / 72
TAC70X240-2L	HFS	70 / 2.75	240 / 9.45	99 / 3.91	28 / 1.10	18 / 0.71	30	14	TAB / TAP	37.6 / 83
TAC70X240-2R	HFS	70 / 2.75	240 / 9.45	99 / 3.91	28 / 1.10	18 / 0.71	30	14	TAB / TAP	37.6 / 83
TAC70X280-1A	HFS	70 / 2.75	280 / 11.02	99 / 3.91	28 / 1.10	18 / 0.71	30	0	TAB / TAP	42.6 / 94
TAC70X280-2LA	HFS	70 / 2.75	280 / 11.02	99 / 3.91	28 / 1.10	18 / 0.71	30	14	TAB / TAP	43.1 / 95
TAC70X280-2RA	HFS	70 / 2.75	280 / 11.02	99 / 3.91	28 / 1.10	18 / 0.71	30	14	TAB / TAP	43.1 / 95
TAC70X320-1B	BACKHOE	70 / 2.75	320 / 12.60	115 / 4.53	35 / 1.38	18 / 0.71	30	0	TAB / TAP	39.9 / 88
TAC70X400-1B	BACKHOE	70 / 2.75	400 / 15.75	115 / 4.53	35 / 1.38	18 / 0.71	30	0	TAB / TAP	52.7 / 116.2
TAC80X305-3	HFS	80 / 3.15	305 / 12.01	130 / 5.12	57 / 2.25	22 / 0.87	30	0	TAB / TAP	54 / 119
TAC80X305-4L	HFS	80 / 3.15	305 / 12.01	130 / 5.12	57 / 2.25	22 / 0.87	30	14	TAB / TAP	54 / 119
TAC80X305-4R	HFS	80 / 3.15	305 / 12.01	130 / 5.12	57 / 2.25	22 / 0.87	30	14	TAB / TAP	54 / 119
TAC80X350-1	HFS	80 / 3.15	350 / 13.78	95 / 3.75	30 / 1.18	20 / 0.79	30	0	TAB / TAP	31.7 / 70
TAC80X350-2L	HFS	80 / 3.15	350 / 13.78	95 / 3.75	30 / 1.18	20 / 0.79	30	10	TAB / TAP	32.3 / 71.2
TAC80X350-2R	HFS	80 / 3.15	350 / 13.78	95 / 3.75	30 / 1.18	20 / 0.79	30	10	TAB / TAP	32.3 / 71.2
TAC90X225-1	HFS	89 / 3.50	225 / 8.86	128 / 5.03	36 / 1.42	31 / 1.22	30	0	TAB / TAP	47.2 / 104
TAC90X225-2L	HFS	90 / 3.50	225 / 8.86	128 / 5.03	36 / 1.42	31 / 1.22	30	17,5	TAB / TAP	49 / 108
TAC90X225-2R	HFS	90 / 3.50	225 / 8.86	128 / 5.03	36 / 1.42	31 / 1.22	30	17,5	TAB / TAP	49 / 108
TAC90X245-1A	HFS	90 / 3.50	245 / 9.65	105 / 4.13	35 / 1.38	24 / 0.94	30	0	TAB / TAP	36.7 / 81
TAC90X245-2LA	HFS	90 / 3.50	245 / 9.65	105 / 4.13	35 / 1.38	24 / 0.94	30	22	TAB / TAP	36.7 / 81
TAC90X245-2RA	HFS	90 / 3.50	245 / 9.65	105 / 4.13	35 / 1.38	24 / 0.94	30	22	TAB / TAP	36.7 / 81
TAC90X270-1	HFS	90 / 3.50	270 / 10.63	128 / 5.03	36 / 1.42	24 / 0.94	30	0	TAB / TAP	56.7 / 125
TAC90X270-2L	HFS	90 / 3.50	270 / 10.63	128 / 5.03	36 / 1.42	24 / 0.94	30	14	TAB / TAP	57.6 / 127
TAC90X270-2R	HFS	90 / 3.50	270 / 10.63	128 / 5.03	36 / 1.42	24 / 0.94	30	14	TAB / TAP	57.6 / 127
TAC90X270-5	HFS	90 / 3.50	270 / 10.63	128 / 5.04	60 / 2.36	24 / 0.94	30	0	TAB / TAP	56.7 / 125
TAC90X270-6L	HFS	90 / 3.50	270 / 10.63	128 / 5.04	60 / 2.36	24 / 0.94	30	14	TAB / TAP	57.6 / 127
TAC90X270-6R	HFS	90 / 3.50	270 / 10.63	128 / 5.04	60 / 2.36	24 / 0.94	30	14	TAB / TAP	57.6 / 127
TAC90X320-5	HFS	90 / 3.50	320 / 12.60	128 / 5.04	60 / 2.36	24 / 0.94	30	0	TAB / TAP	72.1 / 159
TAC90X320-6L	HFS	90 / 3.50	320 / 12.60	128 / 5.04	60 / 2.36	24 / 0.94	30	14	TAB / TAP	73.9 / 163
TAC90X320-6R	HFS	90 / 3.50	320 / 12.60	128 / 5.04	160 / 6.30	24 / 0.94	30	14	TAB / TAP	73.9 / 163
TAC90X360-1	HFS	90 / 3.50	360 / 14.17	125 / 4.94	36 / 1.42	24 / 0.94	30	0	TAB / TAP	72.6 / 160
TAC90X360-2L	HFS	90 / 3.50	360 / 14.17	128 / 5.03	36 / 1.42	24 / 0.94	30	14	TAB / TAP	74.4 / 164
TAC90X360-2R	HFS	90 / 3.50	360 / 14.17	128 / 5.03	36 / 1.42	24 / 0.94	30	14	TAB / TAP	74.4 / 164
TAC90X390-1L	HFS	90 / 3.50	390 / 15.35	128 / 5.03	36 / 1.42	24 / 0.94	30	14	TAB / TAP	81.2 / 179
TAC90X390-1R	HFS	90 / 3.50	390 / 15.35	128 / 5.03	36 / 1.42	24 / 0.94	30	14	TAB / TAP	81.2 / 179

Left and right designation for excavators: looking into the bucket.

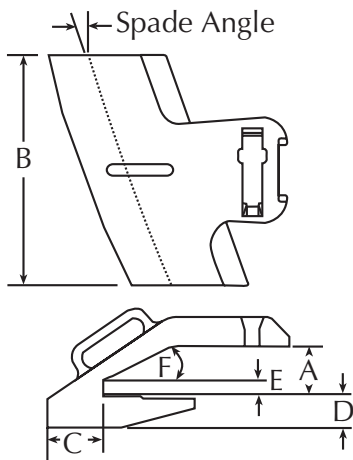
Convention droite-gauche pour les pelles-hydrauliques: se mettre face au godet.

Bestimmung der linken und rechten Teile beim Bagger: wenn man in den Löffel hinein schaut

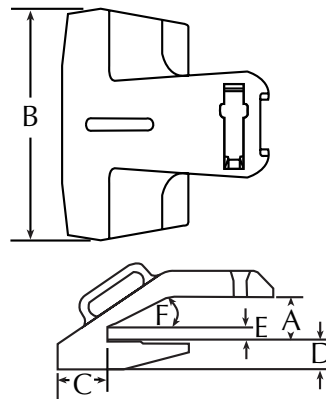
Escavatori: destra/sinistra=di fronta alla benna.

TOPLOK® for Excavators / pour pelles / für Bagger / per escavatori

Left & Right/Gauche & droite/
Link und Recht/Destra e sinistra



Center/Centre/Mitte/Centro



Reference Référence Bezeichnung Riferimento	Machine Machine Maschine Macchina	A	B	C	D	E	F	Spade Lame Messer Lama (°)	Boss/Pin Bossage/Clav. Grundplatte/Keil Fissagi/Chiaiv.	Weight Poids Gewicht Peso kg / lb
		mm/in	mm/in	mm/in	mm/in	mm/in	(°)			
TAC90X430-1L	HFS	90 / 3.50	430 / 16.93	128 / 5.03	36 / 1.42	24 / 0.94	30	14	TAB / TAP	89.3 / 197
TAC90X430-1R	HFS	90 / 3.50	430 / 16.93	128 / 5.03	36 / 1.42	24 / 0.94	30	14	TAB / TAP	89.3 / 197
TBC100X290-3	HFS	100 / 4.00	290 / 11.42	150 / 5.92	63 / 2.48	25 / 0.98	30	0	TBB / TBP	73.5 / 162
TBC100X290-4L	HFS	100 / 4.00	290 / 11.42	150 / 5.92	63 / 2.48	25 / 0.98	30	22	TBB / TBP	75.7 / 167
TBC100X290-4R	HFS	100 / 4.00	290 / 11.42	150 / 5.92	63 / 2.48	25 / 0.98	30	22	TBB / TBP	78.1 / 172.2
TBC100X345-1L	HFS	100 / 4.00	375 / 14.76	142 / 5.59	40 / 1.57	27 / 1.06	30	14	TBB / TBP	106.1 / 234
TBC100X345-1R	HFS	100 / 4.00	345 / 13.58	142 / 5.59	40 / 1.57	27 / 1.06	30	14	TBB / TBP	106.1 / 234
TBC100X375-1L	HFS	100 / 4.00	375 / 14.76	125 / 4.92	45 / 1.77	25 / 0.98	30	22	TBB / TBP	101.6 / 224
TBC100X375-1R	HFS	100 / 4.00	375 / 14.76	125 / 4.92	45 / 1.77	25 / 0.98	30	22	TBB / TBP	101.6 / 224
TBC100X375-2	HFS	100 / 4.00	375 / 14.76	125 / 4.92	45 / 1.77	25 / 0.98	30	0	TBB / TBP	98.4 / 217
TBC100X375-3L	HFS	100 / 4.00	375 / 14.76	142 / 5.59	40 / 1.57	27 / 1.06	30	14	TBB / TBP	111.6 / 246
TBC100X375-3R	HFS	100 / 4.00	375 / 14.76	142 / 5.59	40 / 1.57	27 / 1.06	30	14	TBB / TBP	111.6 / 246
TBC100X430-1	HFS	100 / 4.00	430 / 16.93	125 / 4.92	45 / 1.77	25 / 0.98	30	0	TBB / TBP	103.9 / 229
TBC100X430-2L	HFS	100 / 4.00	430 / 16.93	125 / 4.92	45 / 1.77	25 / 0.98	30	22	TBB / TBP	107 / 236
TBC100X430-2R	HFS	100 / 4.00	430 / 16.93	125 / 4.92	45 / 1.77	25 / 0.98	30	22	TBB / TBP	107 / 236
TBC120X230-1	BACKHOE	120 / 4.75	230 / 9.06	145 / 5.71	45 / 1.77	41 / 1.61	30	0	TBB / TBP	78.5 / 173
TBC120X330-1A	HFS	120 / 4.75	330 / 12.99	145 / 5.71	45 / 1.77	42 / 1.65	30	0	TBB / TBP	104.3 / 230
TBC120X330-2LA	HFS	120 / 4.75	330 / 12.99	145 / 5.71	45 / 1.77	42 / 1.65	30	22	TBB / TBP	104.4 / 230.2
TBC120X330-2RA	HFS	120 / 4.75	330 / 12.99	145 / 5.71	45 / 1.77	42 / 1.65	30	22	TBB / TBP	108 / 238.2
TBC120X395-3	HFS	120 / 4.75	394 / 15.50	197 / 7.77	67 / 2.64	42 / 1.65	30	0	TBB / TBP	123.4 / 272.2
TBC120X395-4L	HFS	120 / 4.75	394 / 15.50	197 / 7.77	67 / 2.64	42 / 1.65	30	22	TBB / TBP	132.2 / 291.6
TBC120X395-4R	HFS	120 / 4.75	394 / 15.50	197 / 7.77	67 / 2.64	42 / 1.65	30	22	TBB / TBP	131.6 / 290.2
TBC120X410-1	HFS	120 / 4.75	410 / 16.14	140 / 5.51	45 / 1.77	42 / 1.65	30	0	TBB / TBP	106.1 / 234
TBC120X410-2L	HFS	120 / 4.75	410 / 16.14	140 / 5.51	45 / 1.77	42 / 1.65	30	22	TBB / TBP	109.6 / 241.6
TBC120X410-2R	HFS	120 / 4.75	410 / 16.14	140 / 5.51	45 / 1.77	42 / 1.65	30	22	TBB / TBP	110.8 / 244.4
TBC120X410-3L	HFS	120 / 4.75	410 / 16.14	170 / 6.71	48 / 1.89	42 / 1.65	30	14	TBB / TBP	141 / 311
TBC120X410-3R	HFS	120 / 4.75	410 / 16.14	170 / 6.71	48 / 1.89	42 / 1.65	30	14	TBB / TBP	144.7 / 319
TBC120X420-1	HFS	120 / 4.75	420 / 16.54	145 / 5.71	43 / 1.68	42 / 1.65	30	0	TBB / TBP	94.3 / 208
TBC120X420-2L	HFS	120 / 4.75	420 / 16.54	145 / 5.71	43 / 1.68	42 / 1.65	30	11,5	TBB / TBP	94.8 / 209
TBC120X420-2R	HFS	120 / 4.75	420 / 16.54	145 / 5.71	43 / 1.68	42 / 1.65	30	11,5	TBB / TBP	94.8 / 209
TBC120X420-3	HFS	120 / 4.75	420 / 16.54	170 / 6.69	52 / 2.03	42 / 1.65	34,5	0	TBB / TBP	124.6 / 274.8
TBC120X420-4L	HFS	120 / 4.75	420 / 16.54	170 / 6.69	52 / 2.03	42 / 1.65	34,5	15	TBB / TBP	129.7 / 286
TBC120X420-4R	HFS	120 / 4.75	420 / 16.54	170 / 6.69	52 / 2.03	42 / 1.65	34,5	15	TBB / TBP	129.7 / 286

Left and right designation for excavators: looking into the bucket.

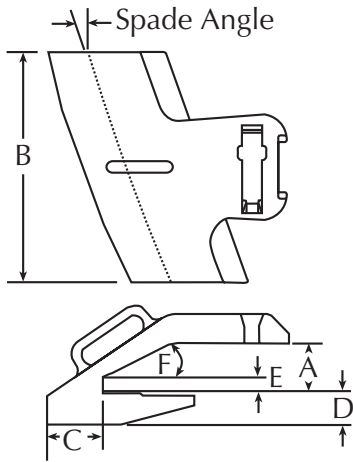
Convention droite-gauche pour les pelles-hydrauliques: se mettre face au godet.

Für die Bagger, relativ zur Schneide: sich vor der Schneide hinstellen und richtung ö Loeffel schauen.

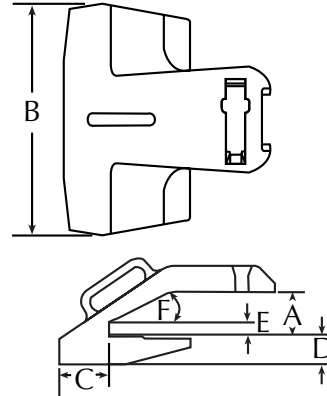
Escavatori: destra/sinistra=di fronta alla benna.

TOPLOK® for Excavators / pour pelles / für Bagger / per escavatori

Left & Right/Gauche & droite/
Link und Recht/Destra e sinistra



Center/Centre/Mitte/Centro



Reference Référence Bezeichnung Riferimento	Machine Machine Maschine Macchina	A	B	C	D	E	F	Spade Lame Messer Lama (°)	Boss/Pin Bossage/Clav. Grundplatte/Keil Fissagi/Chivav.	Weight Poids Gewicht Peso kg / lb
		mm/in	mm/in	mm/in	mm/in	mm/in	(°)			
TBC120X440-1B	HFS	120 / 4.75	440 / 17.32	145 / 5.71	43 / 1.68	42 / 1.65	30	0	TBB / TBP	107.6 / 237.2
TBC120X440-2LB	HFS	120 / 4.75	440 / 17.32	145 / 5.71	43 / 1.68	42 / 1.65	30	11,5	TBB / TBP	110.7 / 244
TBC120X440-2RB	HFS	120 / 4.75	440 / 17.32	145 / 5.71	43 / 1.68	42 / 1.65	30	11,5	TBB / TBP	108.4 / 239
TBC120X470-1A	HFS	120 / 4.75	470 / 18.50	145 / 5.71	43 / 1.68	42 / 1.65	30	0	TBB / TBP	95.6 / 210.8
TBC120X535-3	HFS	120 / 4.75	535 / 21.06	145 / 5.71	43 / 1.68	42 / 1.65	30	0	TBB / TBP	151.9 / 335
TBC120X535-4L	HFS	120 / 4.75	535 / 21.06	145 / 5.71	43 / 1.68	42 / 1.65	30	11,5	TBB / TBP	149.7 / 330
TBC120X535-4R	HFS	120 / 4.75	535 / 21.06	145 / 5.71	43 / 1.68	42 / 1.65	30	11,5	TBB / TBP	149.7 / 330
TBC140X420-1A	HFS	140 / 5.50	420 / 16.54	170 / 6.69	55 / 2.17	46 / 1.81	30	0	TBB / TBP	163.3 / 360
TBC140X420-2LA	HFS	140 / 5.50	420 / 16.54	170 / 6.69	55 / 2.17	46 / 1.81	30	11,5	TBB / TBP	163.3 / 360
TBC140X420-2RA	HFS	140 / 5.50	420 / 16.54	170 / 6.69	55 / 2.17	46 / 1.81	30	11,5	TBB / TBP	163.3 / 360
TBC140X465-1LB	HFS	140 / 5.50	465 / 18.31	200 / 7.87	81 / 3.17	46 / 1.81	30	11,5	TBB / TBP	195.5 / 431
TBC140X465-1RB	HFS	140 / 5.50	465 / 18.31	200 / 7.87	81 / 3.17	46 / 1.81	30	11,5	TBB / TBP	195.5 / 431
TBC140X490-1B	HFS	140 / 5.50	490 / 19.29	200 / 7.87	81 / 3.17	46 / 1.81	30	0	TBB / TBP	199.1 / 439
TBC140X490-2LB	HFS	140 / 5.50	490 / 19.29	200 / 7.87	81 / 3.17	46 / 1.81	30	11,5	TBB / TBP	200.9 / 443
TBC140X490-2RB	HFS	140 / 5.50	490 / 19.29	200 / 7.87	81 / 3.17	46 / 1.81	30	11,5	TBB / TBP	200.9 / 443
TBC140X575-1LA	HFS	140 / 5.50	575 / 22.64	221 / 8.69	76 / 3.01	46 / 1.81	30	11,5	TBB / TBP	200.9 / 443
TBC140X575-1RA	HFS	140 / 5.50	575 / 22.64	221 / 8.69	76 / 3.01	46 / 1.81	30	11,5	TBB / TBP	200.9 / 443
TBC150X445-1	HFS	150 / 6.00	445 / 17.50	211 / 8.30	73 / 2.86	53 / 2.10	33	0	TBB / TBP	151.9 / 335
TBC150X445-2L	HFS	150 / 6.00	445 / 17.50	211 / 8.30	73 / 2.86	53 / 2.10	33	14	TBB / TBP	156 / 344
TBC150X445-2R	HFS	150 / 6.00	445 / 17.50	211 / 8.30	73 / 2.86	53 / 2.10	33	14	TBB / TBP	156 / 344
TBC160X430-1	HFS	160 / 6.30	430 / 16.93	176 / 6.94	64 / 2.52	56 / 2.20	30	0	TBB / TBP	159.2 / 351
TBC160X430-2L	HFS	160 / 6.30	430 / 16.93	176 / 6.94	64 / 2.52	56 / 2.20	30	14	TBB / TBP	166 / 366
TBC160X430-2R	HFS	160 / 6.30	430 / 16.93	176 / 6.94	64 / 2.52	56 / 2.20	30	14	TBB / TBP	166 / 366
TBC160X450-1	HFS	160 / 6.30	450 / 17.72	200 / 7.89	65 / 2.56	56 / 2.20	30	0	TBB / TBP	206.8 / 456
TBC160X450-2L	HFS	160 / 6.30	450 / 17.72	200 / 7.89	65 / 2.56	56 / 2.20	30	14	TBB / TBP	204.1 / 450
TBC160X450-2R	HFS	160 / 6.30	450 / 17.72	200 / 7.89	65 / 2.56	56 / 2.20	30	14	TBB / TBP	204.1 / 450
TBC160X450-3	HFS	160 / 6.30	450 / 17.72	250 / 9.84	90 / 3.56	56 / 2.20	30	0	TBB / TBP	182.8 / 403
TBC160X450-4L	HFS	160 / 6.30	450 / 17.72	250 / 9.84	90 / 3.56	56 / 2.20	30	14	TBB / TBP	186.8 / 412
TBC160X450-4R	HFS	160 / 6.30	450 / 17.72	250 / 9.84	90 / 3.56	22 / 0.87	30	14	TBB / TBP	186.8 / 412
TBC160X465-1	HFS	160 / 6.30	465 / 18.31	176 / 6.94	64 / 2.52	56 / 2.20	30	0	TBB / TBP	166 / 366
TBC160X465-2L	HFS	160 / 6.30	465 / 18.31	176 / 6.94	64 / 2.52	56 / 2.20	30	14	TBB / TBP	172.8 / 381
TBC160X465-2R	HFS	160 / 6.30	465 / 18.31	176 / 6.94	64 / 2.52	56 / 2.20	30	14	TBB / TBP	172.8 / 381
TBC160X520-1L	HFS	160 / 6.30	520 / 20.47	227 / 8.94	64 / 2.52	56 / 2.20	30	14	TBB / TBP	297.5 / 656
TBC160X520-1R	HFS	160 / 6.30	520 / 20.47	227 / 8.94	64 / 2.52	56 / 2.20	30	14	TBB / TBP	297.5 / 656
TBC160X570-1L	HFS	160 / 6.30	570 / 22.44	227 / 8.94	64 / 2.52	56 / 2.20	30	14	TBB / TBP	323.8 / 714
TBC160X570-1R	HFS	160 / 6.30	570 / 22.44	227 / 8.94	64 / 2.52	56 / 2.20	30	14	TBB / TBP	323.8 / 714
TDC40X380-1	BACKHOE	40 / 1.57	380 / 14.96	90 / 3.54	35 / 1.38	17 / 0.67	30	0	TDB / TDP	29.9 / 66

Left and right designation for excavators: looking into the bucket.

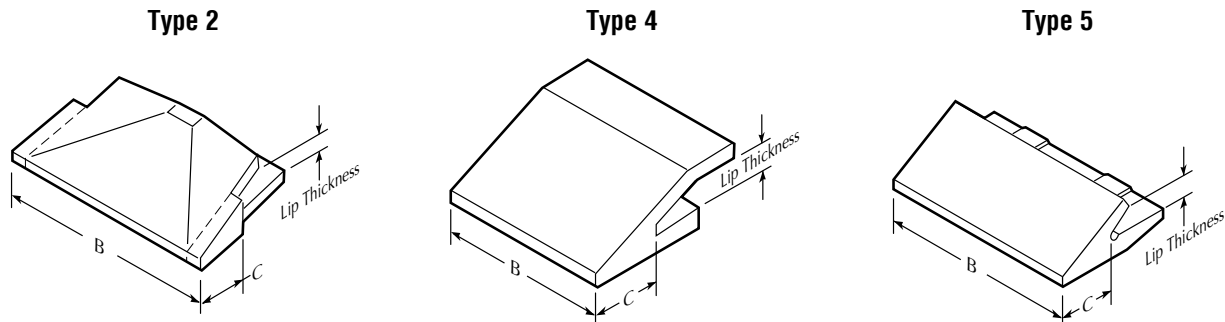
Convention droite-gauche pour les pelles-hydrauliques: se mettre face au godet.

Für die Bagger, relativ zur Schneide: sich vor der Schneide hinstellen und richtung ö Loeffel schauen.

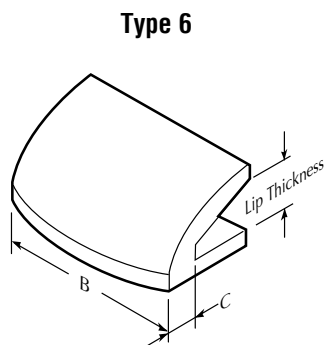
Escavatori: destra/sinistra=di fronta alla benna.

Bucket Lip and Wing Shrouds/Boucliers ESCO pour lames et renforts de godets/ESCO Schutzschilde und Seitenschutzschilde/Scudi ESCO Protezione Lama e Fiancate

Front End Loader Weld-on Lip Shrouds/Boucliers à souder pour chargeuses/
Anschweiss-Schutzschilde für Lader/Scudi a saldare per pale caricatrici



Face Shovel Weld-on Lip Shrouds/Boucliers à souder pour godets rétro/
Anschweiss-Schutzschilde für Bagger/Scudi a saldare per escavatori



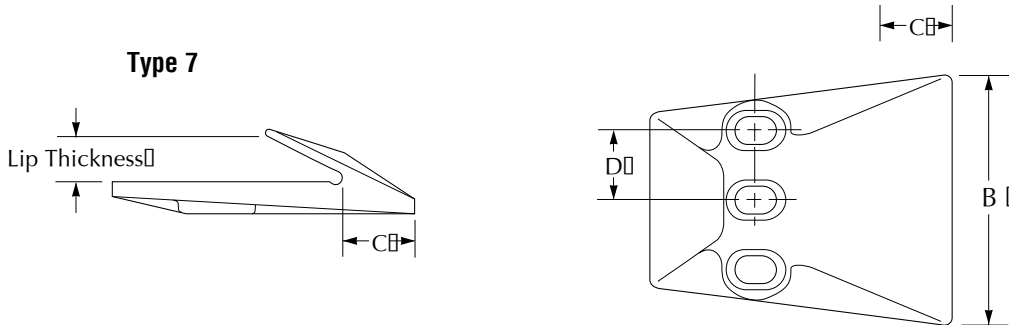
Reference Référence Bezeichnung Riferimento	Machine Machine Maschine Macchina	Type Type Type Tipo	MINIMUM Lip Thickness Epaisseur lame Messer Stärke Spessore lama mm/in	MAXIMUM Lip Thickness Epaisseur lame Messer Stärke Spessore lama mm/in	B mm/in	C mm/in	Spade Lame Messer Lama (°)	Spade Delta (°)	Weight Poids Gewicht Peso kg / lb
18-3380	FEL	2L	51 / 2.00	51 / 2.00	314 / 12.35	127 / 5.00	23	10	35.4 / 78
18-3390	FEL	2R	51 / 2.00	51 / 2.00	314 / 12.35	127 / 5.00	23	10	35.4 / 78
18-3570	FEL	2	51 / 2.00	51 / 2.00	314 / 12.35	127 / 5.00	30	0	35.4 / 78
B45	FEL	4	30 / 1,18	45 / 1,75	150 / 5,90	99 / 3,88	30	NA	7,0 / 15,0
B70	FEL	6	64 / 2.50	76 / 3.00	249 / 9.80	115 / 4.53	30	0	21.5 / 47.3
B70-1L/R	HFS	4L	64 / 2.50	76 / 3.00	196 / 7.70	108 / 4.27	30	30	18.5 / 40.8
B70-2L/R	HFS	6	70 / 2,75	70 / 2,75	230 / 9,00	100 / 3,94	30	18	22 / 47
B45-300	FEL	5	38 / 1.50	44 / 1.75	305 / 12.00	98 / 3.86	30	0	12.2 / 27
B70-500	FEL	6	60 / 2,40	60 / 2,40	500 / 19,69	115 / 4,53	30	0	43 / 86
B70-500M	FEL, HFS	6	64 / 2.50	76 / 3.00	500 / 19.69	115 / 4.53	30	0	80 / 176.4
B70-780	FEL	4	65 / 2,50	75 / 3,00	780 / 3,70	115 / 4,53	30	NA	19 / 41
LS2.0-12-1	FEL	4	38 / 1.50	44 / 1.75	305 / 12.00	99 / 3.88	30	0-10	16.8 / 37
LS2.5-15	FEL	5	51 / 2.00	64 / 2.50	381 / 15.00	105 / 4.15	30	0	25.9 / 57
LS2.5-15-1	FEL	2	51 / 2.00	64 / 2.50	381 / 15.00	105 / 4.15	30	0-10	24.9 / 55
LS2.5-17	FEL	2	76 / 3.00	89 / 3.50	381 / 15.00	179 / 7.06	30	0-10	26.1 / 57.6
LS3.5-15-1	FEL	5	76 / 3.00	89 / 3.50	381 / 15.00	179 / 7.06	30	0-10	50.8 / 112
B90	HFS	6	89 / 3.50	102 / 4.00	356 / 14.00	100 / 3.94	30	0	30.8 / 68
B90L/R	HFS	6	89 / 3.50	102 / 4.00	356 / 14.00	100 / 3.94	30	14	32.4 / 71.5
CESA2426-2A	HFS	6	120 / 4,70	120 / 4,70	320 / 12,60	100 / 3,94	30	NA	39 / 84
CESA2427-2A/RA	HFS	6	120 / 4,70	120 / 4,70	321 / 12,60	58 / 2,28	30	16°30	39 / 84
LS4.0-15	FEL	5	89 / 3.50	102 / 4.00	381 / 15.00	195 / 7.66	30	0-10	72.9 / 160.8
LS4.0-18	FEL	5	89 / 3.50	102 / 4.00	457 / 18.00	195 / 7.66	30	0-10	84.2 / 185.6
LS5.5-18	HFS	6	127 / 5.00	152 / 6.00	457 / 18.00	248 / 9.78	30	0	113.2 / 249.6
LS6.0-25	HFS	6	127 / 5.00	152 / 6.00	635 / 25.00	248 / 9.78	30	0	169.2 / 373

- High abrasion lip shrouds / Boucliers abrasion sévère / Für extrem Abrasive / Bodenarten / Per applicazione estremamente abrasivi.

- Shrouds can be trimmed as needed for unique lip designs/Les boucliers peuvent-être coupés selon les différentes longueurs de lames/Schutzschilde koennen entsprechend der Lippe zugeschnitten werden/Gli scudi ESCO si adattano volendo anche a speciali tipi di lame

Bucket Lip and Wing Shrouds/Boucliers ESCO pour lames et renforts de godets/ESCO Schutzschilde und Seitenschutzschilde/Scudi ESCO Protezione Lama e Fiancate

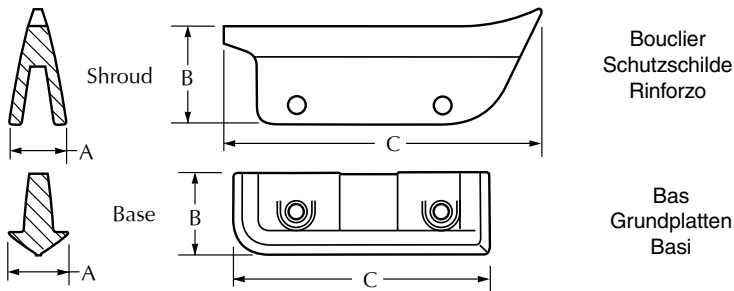
Front End Loader Bolt-on Lip Shrouds/Boucliers à boulonner pour chargeuses/
Anschraubbare Schutzschilde für Lader/Rinforzo a bullonare per caricatori



High abrasion upgrade from plate edge segments. Cast alloy 12S provides extra hardness for long life. The shroud wraps over the top of the lip bevel to provide total lip leading edge protection, not just bottom protection. Use grade 8 plow bolts with a grade 8 nuts as indicated.

Reference	Machine	Type	MINIMUM	MAXIMUM	B	C	Spade		D	BOLT	Weight
			Lip Thickness	Lip Thickness			Lame	Delta			
Référence	Machine	Type	Epaisseur lame	Epaisseur lame			Messer	Spade	mm/in	(QTY)	Peso kg / lb
Bezeichnung	Maschine	Type	Spessore lama	Spessore lama	mm/in	mm/in	Lama	Delta			(kg/lb)
Riferimento	Macchina	Tipo	mm/in	mm/in			(°)	(°)			
LSB-8-12.5	FEL	7	38 / 1.50	44 / 1.75	318 / 12.50	87 / 3.44	23	0	160 / 6.30	(2) 1.25 INCH	18.6 / 41
PDE52098	FEL	7	51 / 2.00	51 / 2.00	337 / 13.25	119 / 4.70	30	0	105 / 4.13	(3) 1.38 INCH	40.4 / 89

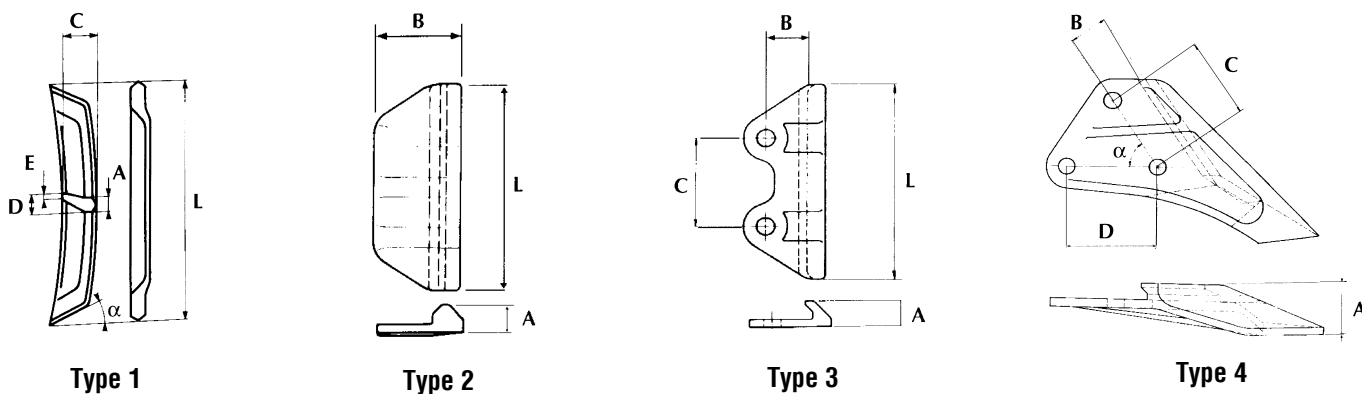
Front End Loader & Face Shovel / Chargeuses et Godet choulour /
Ladeschaufel und Klappshaufler / Palacaricatrice e benna frontale



Reference	Machine	Type	(A) WING	(A) WING	B	C	Locking	Weight
Référence	Machine	Type	THICKNESS	THICKNESS	WIDTH	HEIGHT	Clavetage	Poids
Bezeichnung	Maschine	Type	mm/in	mm/in	mm/in	mm/in	Verkeilung	Gewicht
Riferimento	Macchina	Tipo					Chiavetta	Peso kg / lb
E7-3778A	FEL, HFS	BASE	64 / 2.50	NA	159 / 6.25	545 / 21.47	(2) 75SPN (4) 75KLKSR	15.3 / 33.8
E7-3778SA	FEL, HFS	BASE	64 / 2.50	NA	159 / 6.25	790 / 31.10	(2) 75SPN (4) 75KLKSR	19 / 42
ES-3777A	FEL, HFS	SHROUD	25 / 1.00	51 / 2.00	112 / 4.41	724 / 28.51	NA	15.9 / 35
ES-3777SA	FEL, HFS	SHROUD	50 / 2.00	52 / 2.00	113 / 4.41	520 / 20.40	(2) 75SPN (4) 75KLKSR	17 / 37
ES-4410A	FEL, HFS	SHROUD	110 / 4.30	50 / 2.00	150 / 6.00	800 / 31.50	(2) E7-4411-4A & (4) 75KLKSR	44 / 96
ES5280	FEL, HFS	SHROUD	80 / 3.15	40 / 1.57	134.5 / 5.29	600 / 23.62	(2) E7-5280 & (4) 75KLKSR	25 / 55
PDE34294	FEL, HFS	BASE	76 / 3.00	152 / 6.00	216 / 8.50	673 / 26.50	NA	90.7 / 200
PDE34295	FEL, HFS	SHROUD	152 / 6.00	NA	251 / 9.90	829 / 32.62	(2) PDB31183 (4) 120KLKSR	95.7 / 211
PDE52716	FEL, HFS	SHROUD	NA	NA	303 / 11.91	203 / 8.00	(2) PDB31183#2 (4) 120KLKSR	143.8 / 317
PDE43722	FEL, HFS	BASE	76 / 3.00	152 / 6.00	216 / 8.50	673 / 26.50	NA	115.6 / 255
PDE43723-2	FEL, HFS	SHROUD	202 / 7.95	NA	316 / 12.46	229 / 9.00	(2) PDB31183-2 (4) 120KLKSR	174.1 / 384
PDE43723-3	FEL, HFS	SHROUD	202 / 7.95	NA	316 / 12.46	1081 / 42.54	(2) PDB31183-2 (4) 120KLKSR	190.5 / 420
PDE43723	FEL, HFS	SHROUD	202 / 7.95	NA	267 / 10.50	922 / 36.31	(2) PDB31183-2 (4) 120KLKSR	143.8 / 317
PDE50489	FEL, HFS	BASE	76 / 3.00	152 / 6.00	216 / 8.50	937 / 36.89	NA	166.7 / 367.6
PDE50490	FEL, HFS	SHROUD	202 / 7.95	NA	267 / 10.50	1344 / 52.93	(2) PDB31183-2 (4) 120KLKSR	205 / 452
PDE52420 *	FEL, HFS	SHROUD	102 / 4.00	NA	254 / 10.00	1092 / 43.00	(2) PDB31183#2 (2) 120KLKSR	145.6 / 321
PDE52445 **	FEL, HFS	SHROUD	80 / 3.15	NA	229 / 9.00	889 / 35.00	(2) PDB31183#3 (2) 120KLKSR	98.9 / 218

Bucket Lip and Wing Shrouds/Boucliers ESCO pour lames et renforts de godets/ESCO Schutzschilde und Seitenschutzschilde/Scudi ESCO Protezione Lama e Fiancate

Hoe Weld-on Wing Shrouds / Bouclier latéral à souder pour godet rétro
Seitenschutzschilde (anschweisbar) / Rinforzo laterale a saldare per escavatori



Reference	Type	Lip Thickness Epaisseur lame Messer Stärke Bezeichnung Spessore lama Riferimento	A	B	C	D	E	L	(°)	Weight Poids Gewicht Peso kg
WS560	1	30/40	35	NA	85	48	10	560	25	9
WP72S	2	30/45	35	110	NA	NA	NA	265	NA	3,6

Hoe Bolt-on Wing Shrouds / Bouclier latéral à boulonner pour godet rétro
Seitenschutzschilde (anschraubbar) / Rinforzo laterale a imbullonare per escavatori

Reference	Type	Lip Thickness Epaisseur lame Messer Stärke Bezeichnung Spessore lama Riferimento	A	B	C	D	E	L	Bolt Boulon Schraube Bullone	Weight Poids Gewicht Peso kg
WP72	3	30/45	35	57	120	NA	NA	265	(2) 22	2,7

Hoe Side Cutter/ Soc latéral pour godet rétro / Seitenschneide / Scude laterale per escavatori

Reference	Type	Lip Thickness Epaisseur lame Messer Stärke Bezeichnung Spessore lama Riferimento	A	B	C	D	(°)	Trench width increase of Larg. Tranchée augm. de Schnittbreite erhöht um Larg. Di taglio aumentato	Bolt Boulon Schraube Bullone	Weight Poids Gewicht Peso kg
72-578L/R	4	30/45	76	57	120	135	62	100	(3) 22	7,3
72-958L/R	4	30/45	115	57	120	135	62	180	(3) 22	8,2
90-578L/R	4	30/45	76	57	120	135	55	100	(3) 22	8,7

